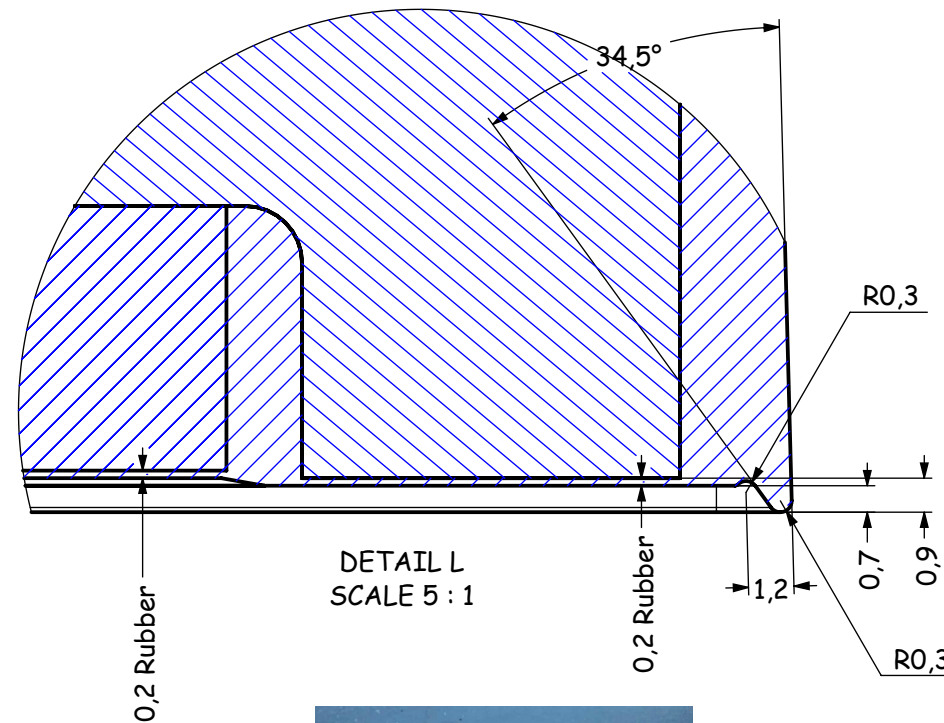
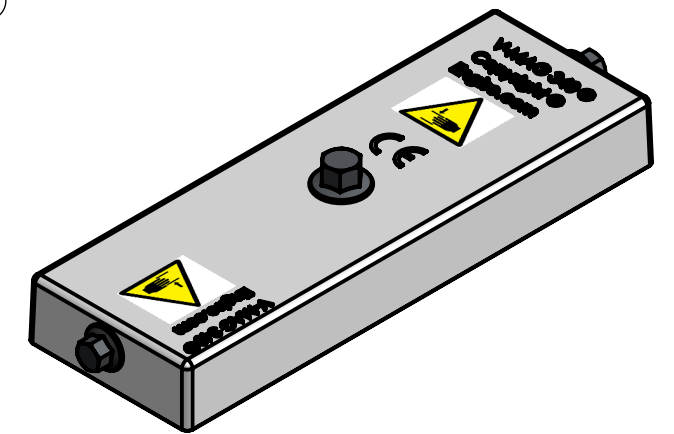


SECTION J-J



DETAIL L
SCALE 5 : 1



30002-R1					
Pos. No.	QTY	DWG No.	Material	Description	Weight
1	1	30002_1001-R1	S235JR	Iron block	0.9
2	2	30002_1002	Neodymium N42	Magnet	0.0
3	1	30002_1003	EPDM	Shore A50 Black	0.1
4	2	ISO 4162 - M6 x 20	A4-70		
5	1	ISO 4162 - M8 x 16	A4-70		

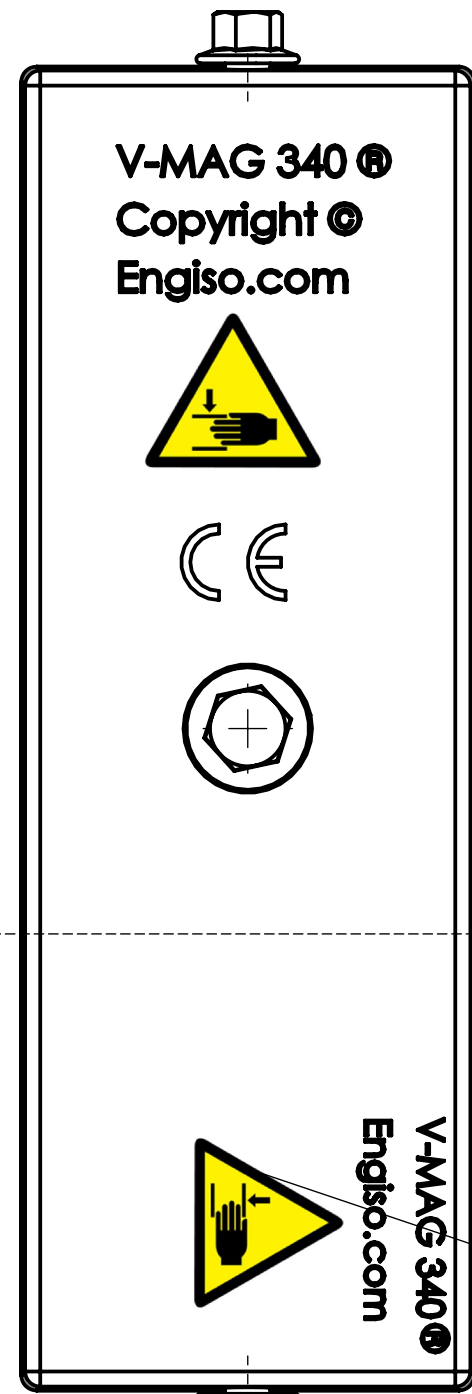
ENGISO[®]
ENGINEERED SOLUTIONS

Phone: (+45) 70 23 00 75
E-mail: info@Engiso.com

Created: 4. marts 2020	Ini: ANO	Updated: 5. maj 2022	Ini: ANO	Linear tolerance				
				0-10	10-50	50-500	500-1000	1000-
Surface treatment:			Approver: B.Ø.					
Material: Material <not specified>		Weight: 1.1 Kg		Item: V-MAG 340 [®]				
Material Cert. EN10204:		Unit: Metric						
A3	Sheet : 1 of 1	SCALE 1:1	Drawing no.: 30002-R1			Rev:		



Must be included in the mould
Yellow colour only for illustration



This drawing belongs Engiso, and may not be disclosed to third parties or used otherwise.

All sharp edges deburred.