

P/N: 1004 HANDLELOK



The Handlelok provides an adjustable positive locking method to secure axes, hammers, bars and many other tools and equipment. The STRETCHLOK strap allows instant release.

FEATURES

- Rugged injection molded components made from high quality materials
- High performance elastomer strap is rated to 5400psi
- Soft textured pad for extra grip.
- Additional strap pivot hole for oversized items.
- Weather, UV resistant
- Non-conductive
- Can be mounted horizontally or vertically
- Slide-stopping lip edge holds poles in place while securing
- Stainless Steel Fasteners provided
- Mounts to PAC tool boards and other flat surfaces
- Strap available in Yellow, Black and Orange

SPECIFICATIONS

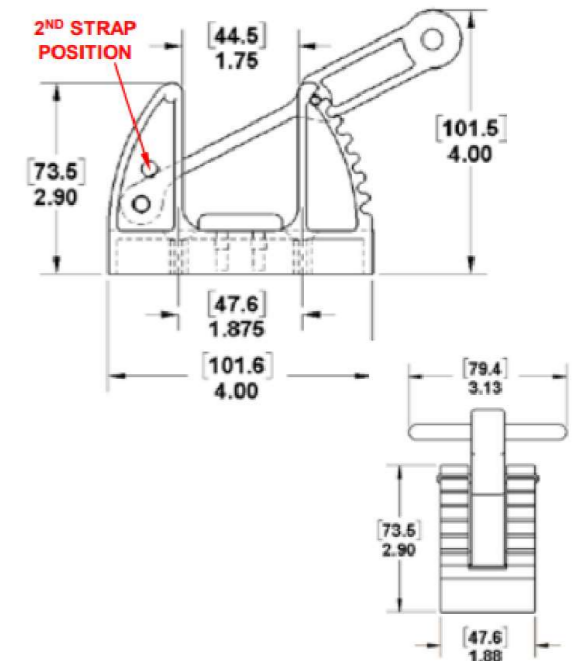
P/N	WT.	MAX LOAD	GRIP RANGE	FLAME TOXICITY CHEMICAL
1004	.4lbs	N/A	1.75"	N/A



Performance Advantage Company Lancaster, New York www.pactoolmounts.com 888-514-0083

TYPICAL SPECIFICATION

Mounting bracket shall be PAC PN 1004.
Bracket shall be made from tough, corrosion free material. Hardware shall be stainless steel.
Users shall be protected from conductivity.



Dimensions: 3.9" L x 1.8" W x 4.0" H

ITEM NO.	PART NUMBER	DESCRIPTION	QTY.
1	30186_000-R1	Pac Mounts bracket	1
2	1004	PAC MOUNTS 1004	1



Phone: (+45) 70 23 00 75
E-mail: info@Engiso.com

	Linear tolerance	0-10	10-50	50-500	500-1000	1000-
		± 0.1	± 0.2	± 0.5	± 0.8	± 1

Created: 4. juni 2022	Ini: ANO	Updated: 16. februar 2023	Ini: ANO
Surface treatment:			Approver: B.Ø.
Material: Material <not specified>	Weight: 2.7 Kg	Item: Pac Mounts	
Material Cert. EN10204:	Unit: Metric		
A3	Sheet : 4 of 11	SCALE 1:2	Drawing no.: 30186_001-R2
			Rev: