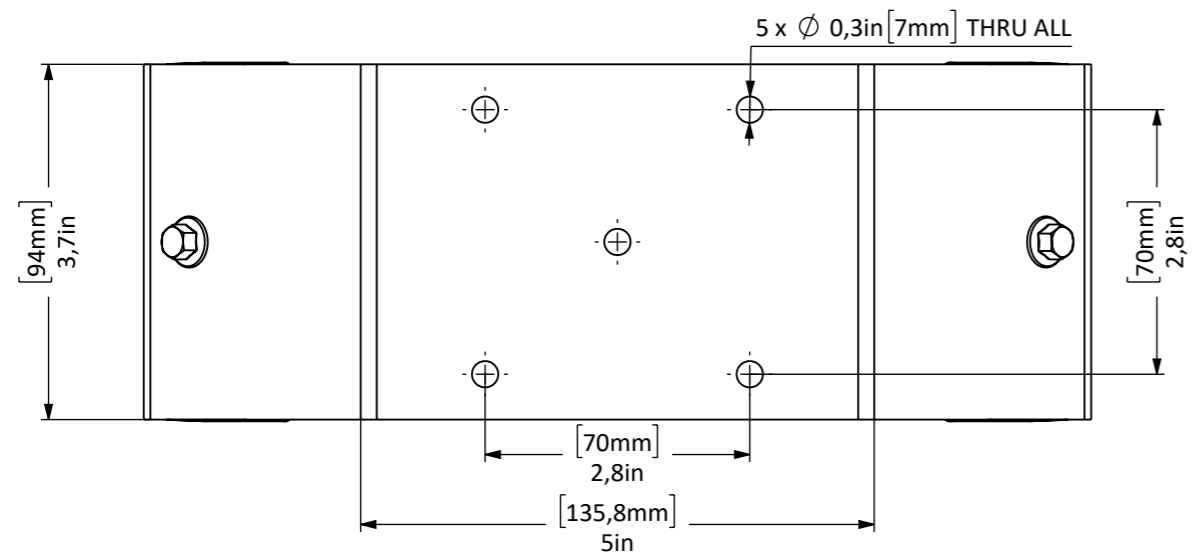
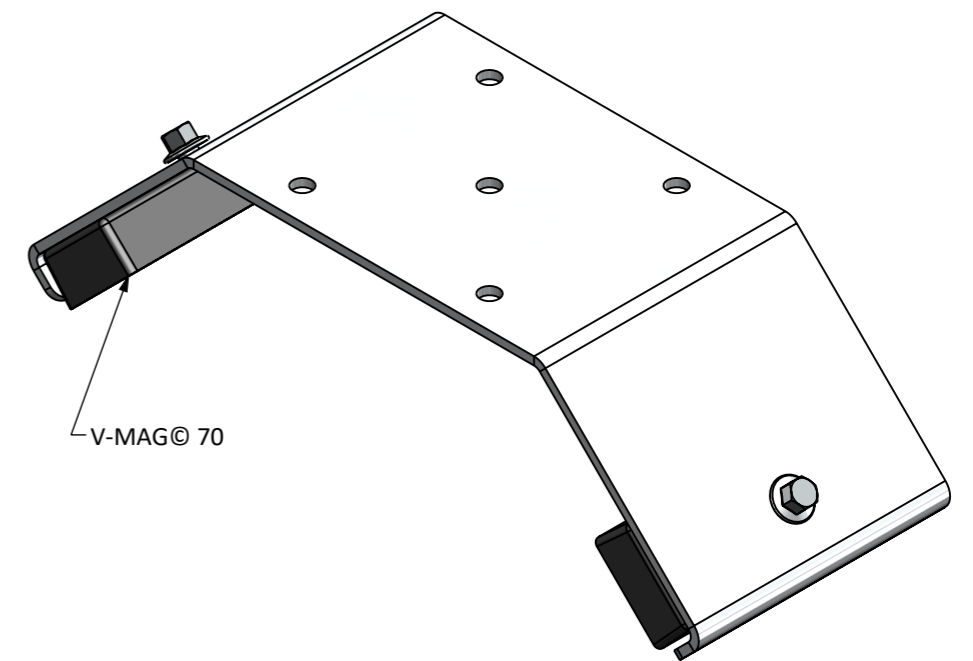
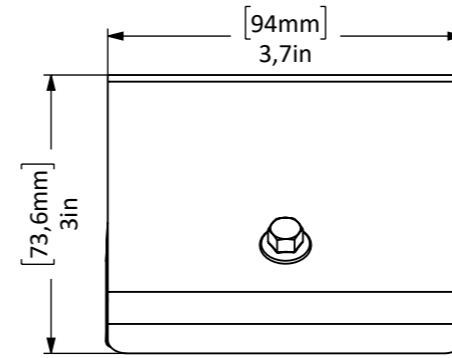
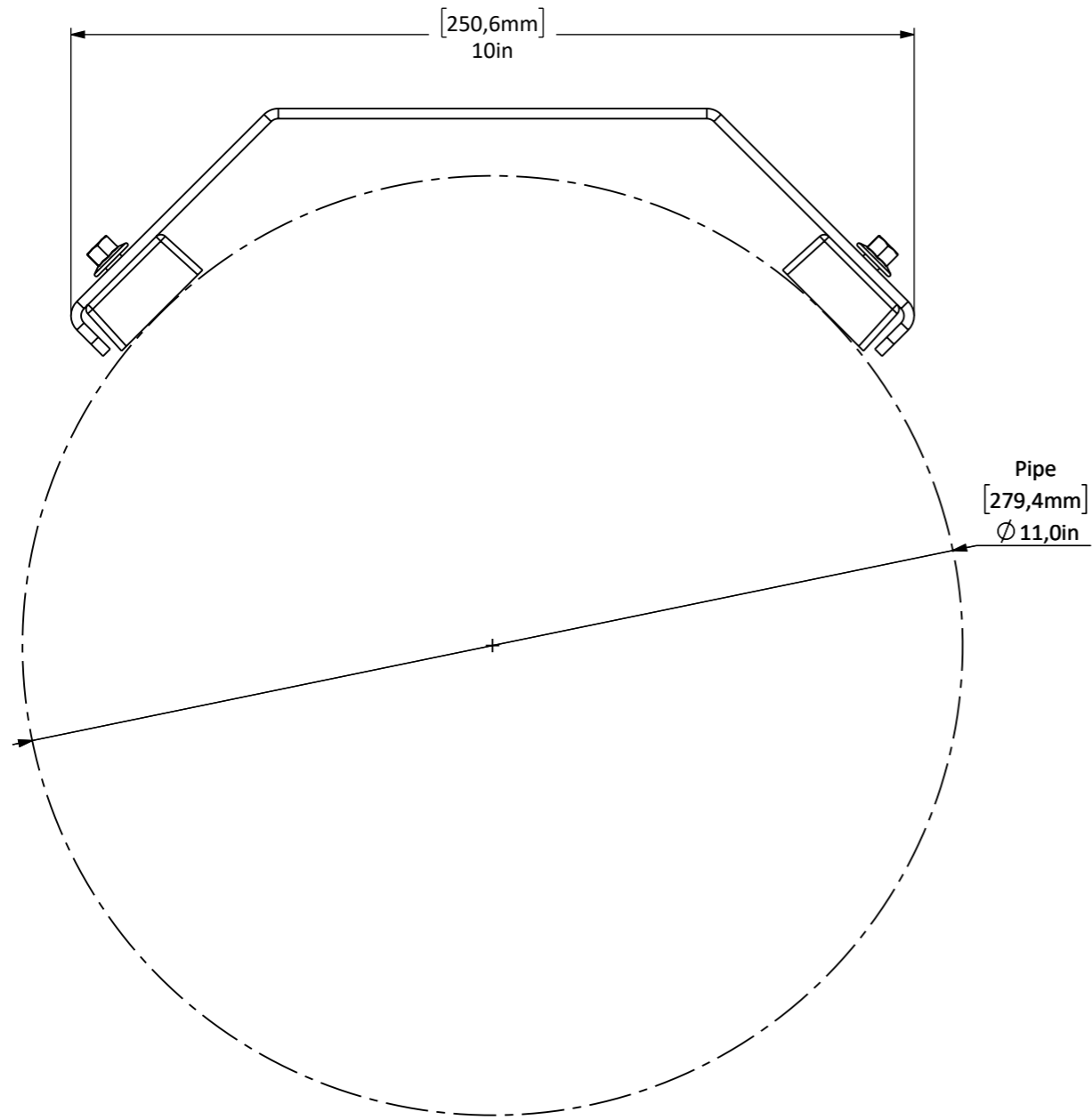


30211-V-MAG 70© Magnetic Universal Bracket for Pipe OD +12" (280 mm) Pipe





ENGISO
ENGINEERED SOLUTIONS

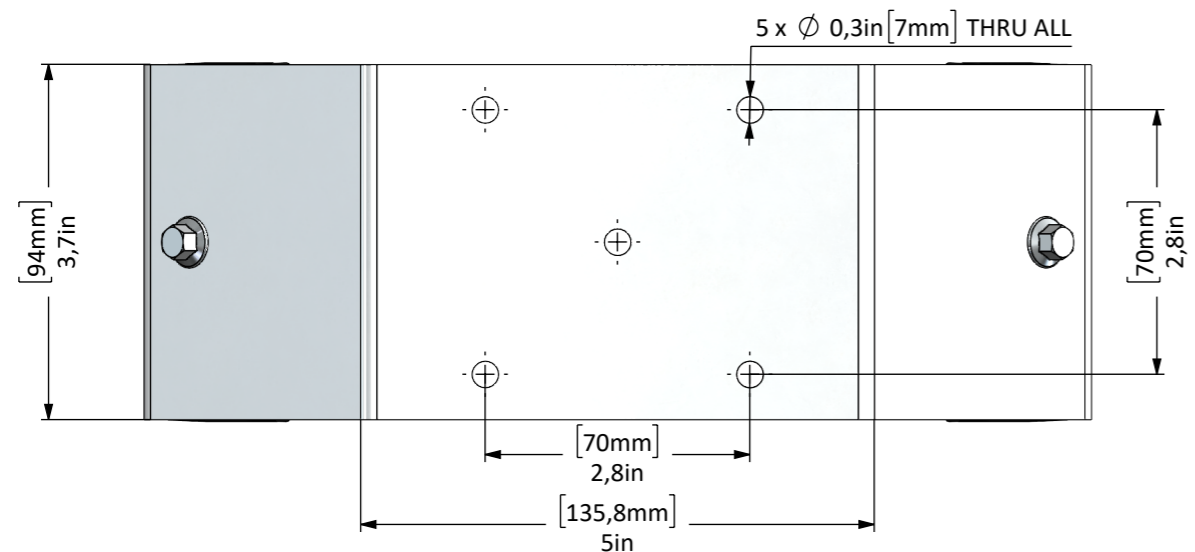
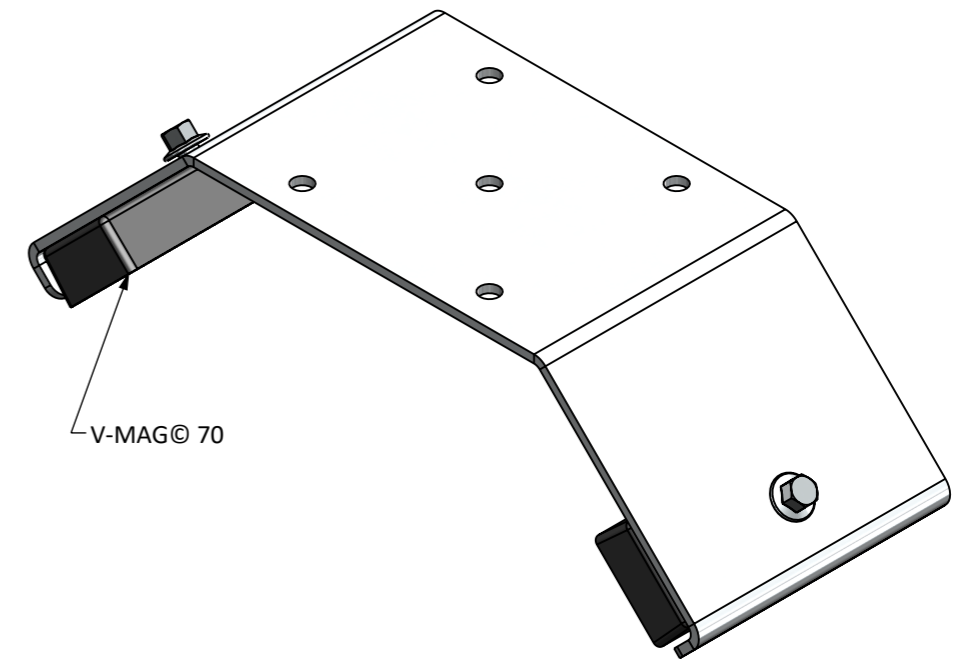
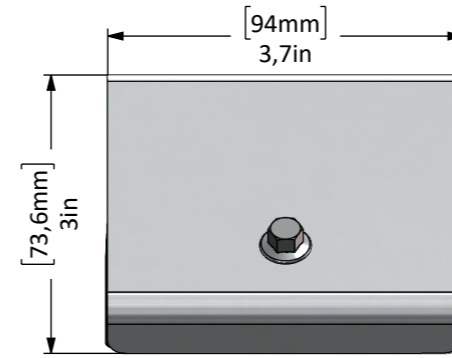
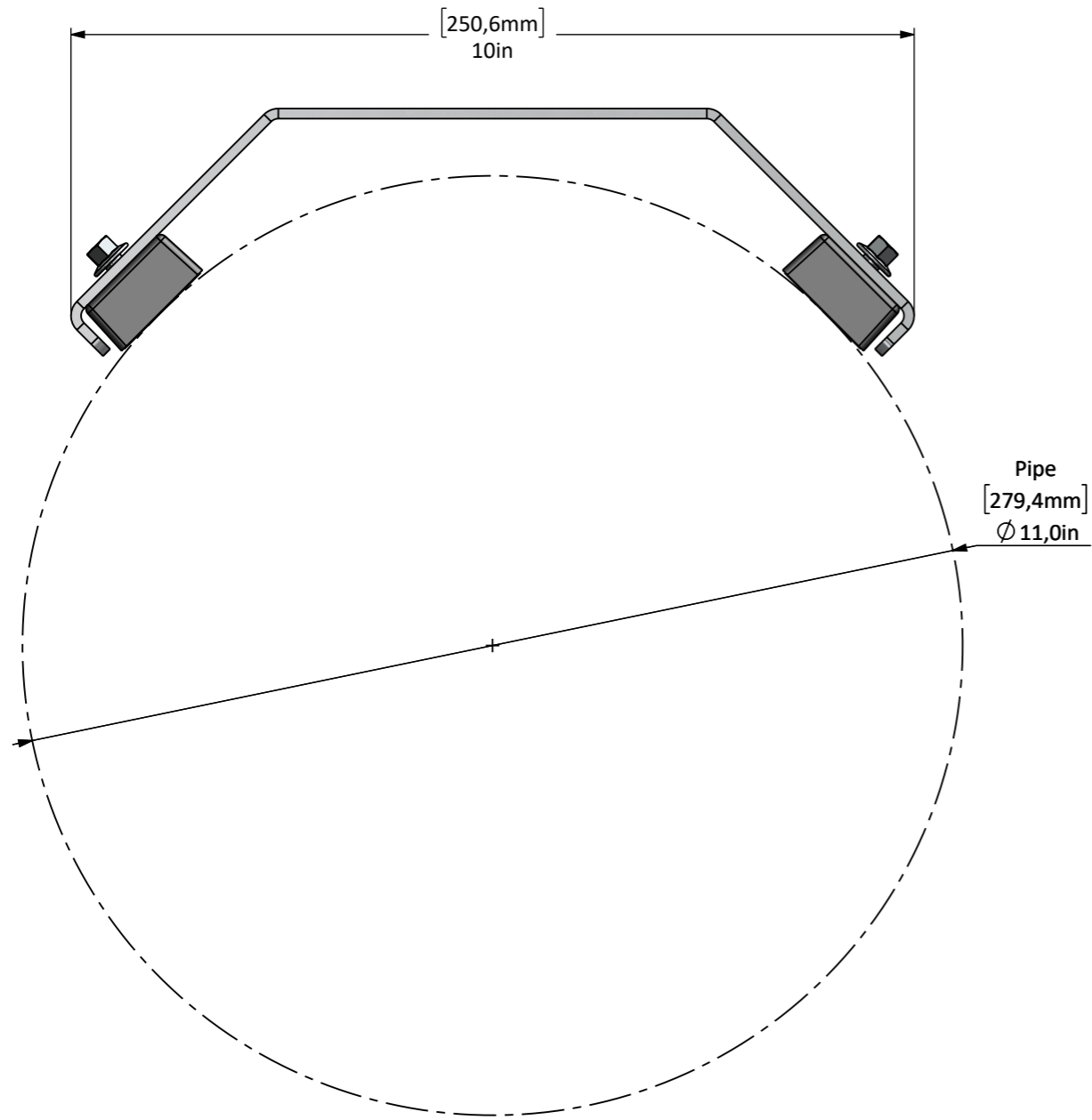
Phone: (+45) 70 23 00 75
E-mail: info@Engiso.com

	Linear tolerance	0-10	10-50	50-500	500-1000	1000-
	± 0.1	± 0.2	± 0.5	± 0.8	± 1	± 1
Created: 5. september 2020		Ini: ANO		Updated: 13. november 2022		Ini: ANO
Surface treatment:					Approver: B.Ø.	
Material: Material <not specified>			Weight: 0.6 Kg			
Material Cert. EN10204:			Item: Assembly			
Unit: Metric						
A3	Sheet : 1 of 2	SCALE 1:2	Drawing no.: 30211_000		Rev:	

This drawing belongs Engiso, and may not be disclosed to third parties or used otherwise.

All sharp edges deburred.

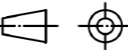
30211-V-MAG 70© Magnetic Universal Bracket for Pipe OD +12" (280 mm) Pipe





ENGISO
ENGINEERED SOLUTIONS

Phone: (+45) 70 23 00 75
E-mail: info@Engiso.com

	Linear tolerance	0-10	10-50	50-500	500-1000	1000-
	± 0.1	± 0.2	± 0.5	± 0.8	± 1	
Created: 5. september 2020		Ini: ANO		Updated: 13. november 2022		Ini: ANO
Surface treatment:						Approver: B.Ø.
Material: Material <not specified>			Weight: 0.6 Kg			
Material Cert. EN10204:			Item: Assembly			
Unit: Metric						
A3	Sheet : 2 of 2	SCALE 1:2	Drawing no.: 30211_000			Rev:

This drawing belongs Engiso, and may not be disclosed to third parties or used otherwise.

All sharp edges deburred.